

16 mm TRACKBALLMODULE

GK16

The GK16-1502 is a high specification keyboard or panel mounted trackball. This trackball features ABS construction, has a phenolic ball with metal core, quality shafts and bearings to ensure precision movement. The toping / ball is removable. A removal tool is part of the supply. Compact dimensions and back of panel mounting make the GK16 ideal for compact keyboard, mobile or remote control applications.



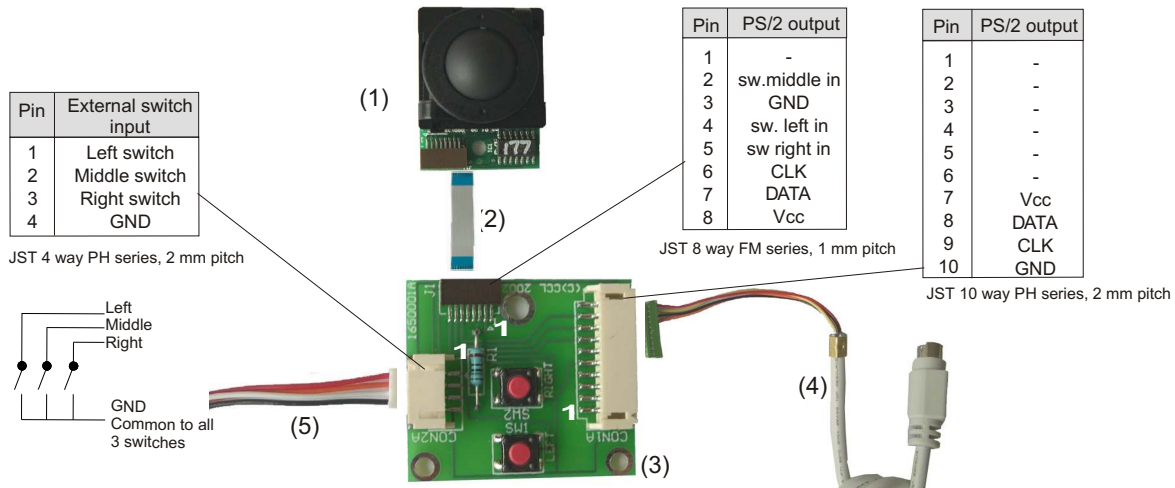
SPECIFICATIONS

- Sealing : none, IP40
- Casing material : ABS
- Top plate material : ABS
- Ball material : Phenolic resin (metal core)
- Ball colour : Black
- Ball diameter : 16 mm
- Weight : 20 grams
- Shaft diameter : 3 mm
- Tracking force : 10 grams nominal
- Resolution : 117 pulses per ball revolution
- Mounting angle : Max. 30° to horizontal plane
- Lifetime - Ball revolutions : > 1 million
- Storage temperature : -20°C to +70°C
- Operating temperature : 0°C to +60°C
- Relative humidity : 95% non-condensing
- Vibration : 5G, 5-2KHz any plane

CONNECTIVITY

The trackball is PS/2 or USB compatible and is supplied with an interconnection PCB and all relevant cables. No special device driver is required. * Due to the increasing differences of the mouse port specifications of the various PC manufacturers, we do recommend that this unit should be tested on the final PC configuration and operating system prior to installing it in series

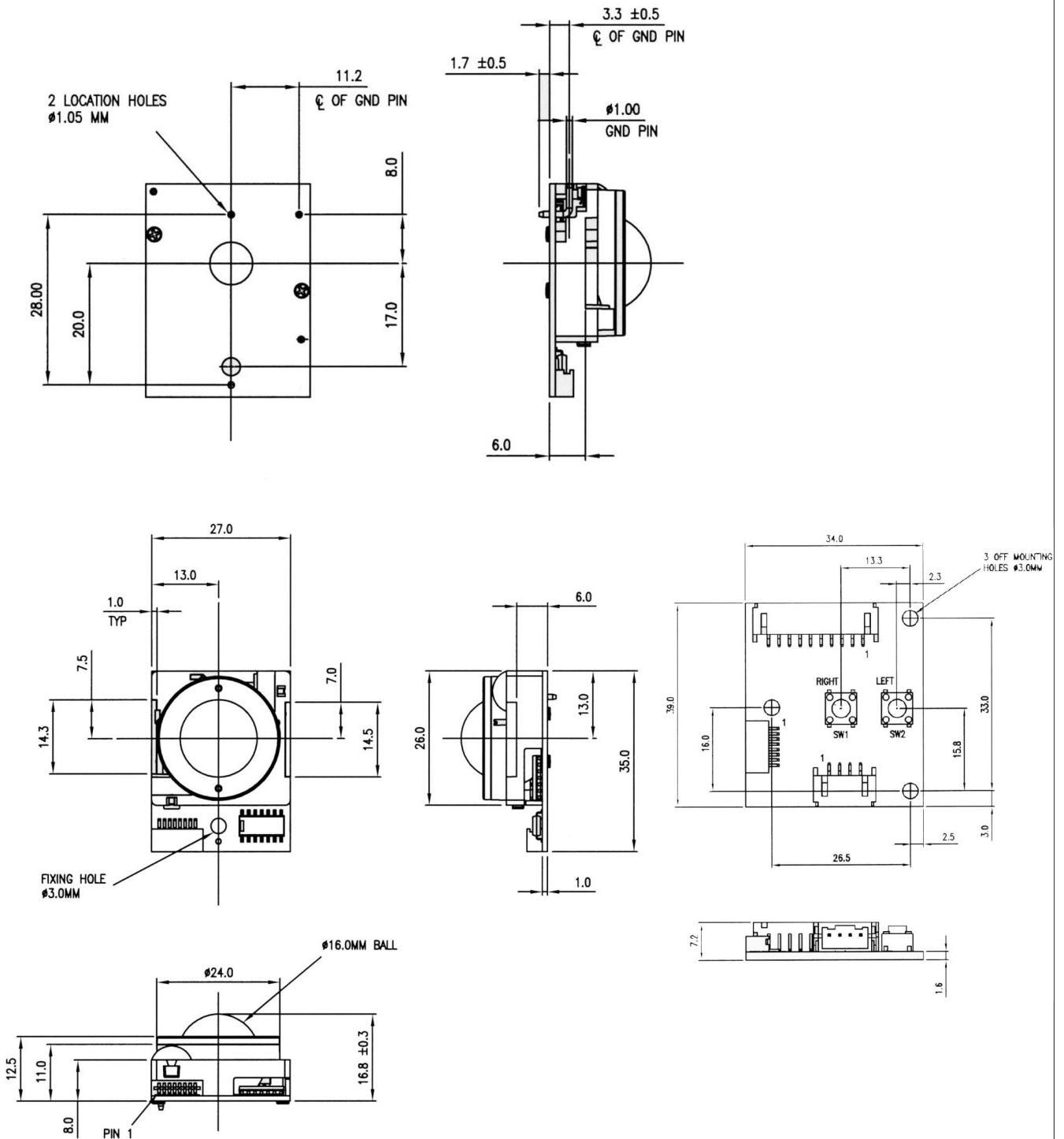
PARTS DESCRIPTION & ORDERING INFO



Output	Order Number	TRACKBALL KIT consisting of :	
PS/2	GK16-1502	- Trackballmodule only PS/2 output (1) OR - Trackballmodule only USB output (1)	P16-140210 P16-150210
USB	GK16-1602	- Flexlead interconnection cable (2) - Interconnection PCB (3) - Shielded cable 1,6 m. long with PS/2 plug (4) OR - Shielded cable 1,6 m. long with USB plug (4) - Cable (4 wires), 35 cm long to connect up to 3 external switches (5)	1151-00 T1601126 OC6010160 OC5010160 IC040035

16 mm TRACKBALLMODULE

DIMENSIONAL DRAWING



Dim in mm.

The company reserves the right to alter without prior knowledge the specification or design of any standard product or service.