

25 mm STAINLESS STEEL TRACKBALLMODULE

GS25

The GS25 series are ruggedised professional trackballs. The ball and the trim are made of quality stainless steel. The double-sided seal ring provides sealing to IP65 static (ball in rest). Stainless steel shafts and bearings ensure a solid and precise pointer control.

The unit has been designed to be back of panel mounted as part of OEM keyboards and consoles. The GS25 is an ideal pointing device for applications with restricted mounting space.



SPECIFICATIONS

- Sealing : IP65 (static)
- Casing material : Polycarbonate
- Ball & trim material : Stainless steel
- Ball colour : Black
- Ball diameter : 25 mm
- Weight : 100 grams
- Seal material : PTFE Composite
- Shaft diameter : 4,5 mm
- Tracking force : 65 grams nominal
- Mounting angle : Max. 60° to horizontal plane
- Lifetime - Ball revolutions : > 2 million
- Supply voltage (quadrature) : 5 Vdc +/- 5%
- Supply current (quadrature) : 6 mA typ
- Storage temperature : -25°C to +80°C
- Operating temperature : -10°C to +60°C
- Relative humidity : 95% non-condensing
- Vibration : 5G, 5-2KHz any plane
- ESD : in excess of 8kV air-discharge and 2kV contact discharge (when ESD protection pin is grounded)

CONNECTIVITY

The GS25-5502 is PS/2 compatible. The GS25-5602 can be plugged into any USB port or hub. Both types are supplied with 1,6m long shielded straight cables and external switch cables.

The GS25-5002 has phase quadrature output: X1 (Y1) leads X2 (Y2) when motion of ball in positive X(Y) direction. It is supplied with a 6-wire connection cable of 35 cm.

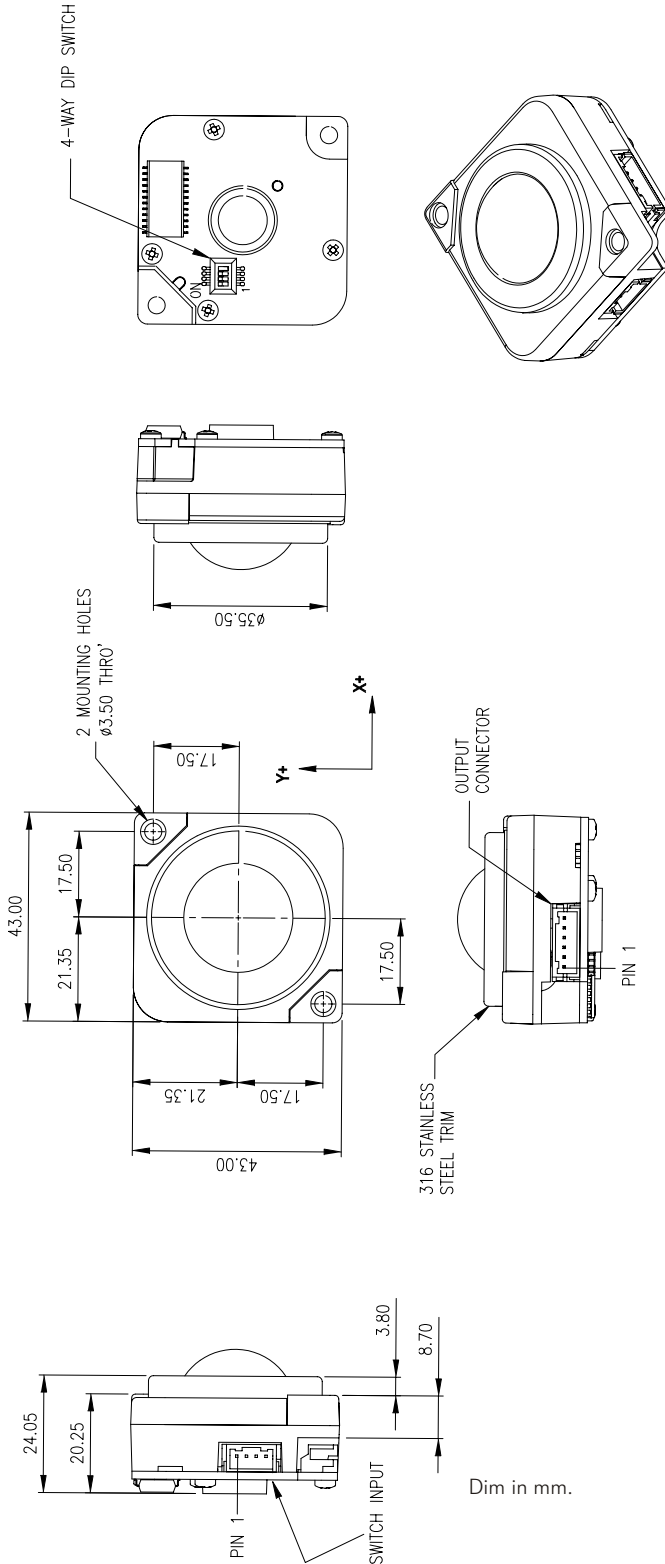
* Due to the increasing differences of the mouse port specifications of the various PC manufacturers, we do recommend that this unit should be tested on the final PC configuration and operating system prior to installing it in series.

ORDER INFO

Output	Order Number	Consisting of :
Quadrature	GS25-5002	P25-5002CC : Trackball module only, incl. trim IC060635 : 35 cm interconnection cable to CON 1
PS/2	GS25-5502	P25-5602CC : Trackball module only, incl. trim OC6006160 : 1,6 m shielded cable with 6 pin mini DIN plug IC040035 : 35 cm switch cable (4 wires) to CON2
USB	GS25-5602	P25-5602CC : Trackball module only, incl. trim OC5006160 : 1,6 m shielded cable with USB type A plug IC040035 : 35 cm switch cable (4 wires) to CON2

25 mm STAINLESS STEEL TRACKBALLMODULE

DIMENSIONAL DRAWING



Dip switches : leave off, for factory use only.

6 way connector (CON1)

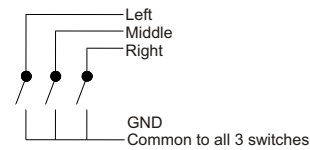
Pin	Quadrature	PS/2 & USB
1	X1	N.C
2	X2	N.C
3	+5VDC	+5VDC
4	Y1	D-/Data
5	Y2	D+/Clock
6	GND	GND

Connector type : JST PH Series 2,0mm pitch.
Mating connector : JST KR Series 2,0mm pitch.

4 way connector (CON2)

Pin	Switch input
1	Left Switch
2	Middle Switch
3	Right Switch
4	GND

Connector type : JST PH Series 2,0mm pitch.
Mating connector : JST KR Series 2,0mm pitch.



* important note : the mounting depth will increase from typical 23,2 mm to 28,0 mm when the antivandal/ESD kit is mounted.

The company reserves the right to alter without prior knowledge the specification or design of any standard product or service.