

34 mm TRACKBALLMODULE

KB34

The KB34-1542 is a high specification keyboard or panel mounted trackball with direct PS/2 output.

This trackball features ABS construction and high quality shafts and bearings to ensure precision movement. Compact dimensions, four switches and front of panel mounting make the KB34 ideal for keyboard, console or process control applications.



SPECIFICATIONS

- Sealing : None, Ip40
- Casing material : ABS, light-grey colour
- Top plate material : ABS, light-grey colour
- Ball material : Polyester
- Ball colour : Mid-grey colour
- Ball diameter : 34 mm
- Weight : 60 grams
- Shaft diameter : 3 mm
- Tracking force : 7 grams nominal
- Mounting angle : Max. 30° to horizontal plane
- Lifetime - Ball revolutions : > 2 million
- Supply voltage (GK50-4002) : 5 Vdc +/- 5%
- Supply current (GK50-4002) : 6 mA typ
- Storage temperature : -20°C to +66°C
- Operating temperature : -10°C to +60°C
- Relative humidity : 95% non-condensing
- Vibration : 5G, 5-2KHz any plane

CONNECTIVITY

The KB34-1542 is PS/2 compatible and is supplied with a 1,6 meter long shielded cable with PS/2 plug. No special device driver is required.

* Due to the increasing differences of the PS/2 mouse port specifications of the various PC manufacturers, we do recommend that this unit should be tested on the final PC configuration and operating system prior to installing it in series.

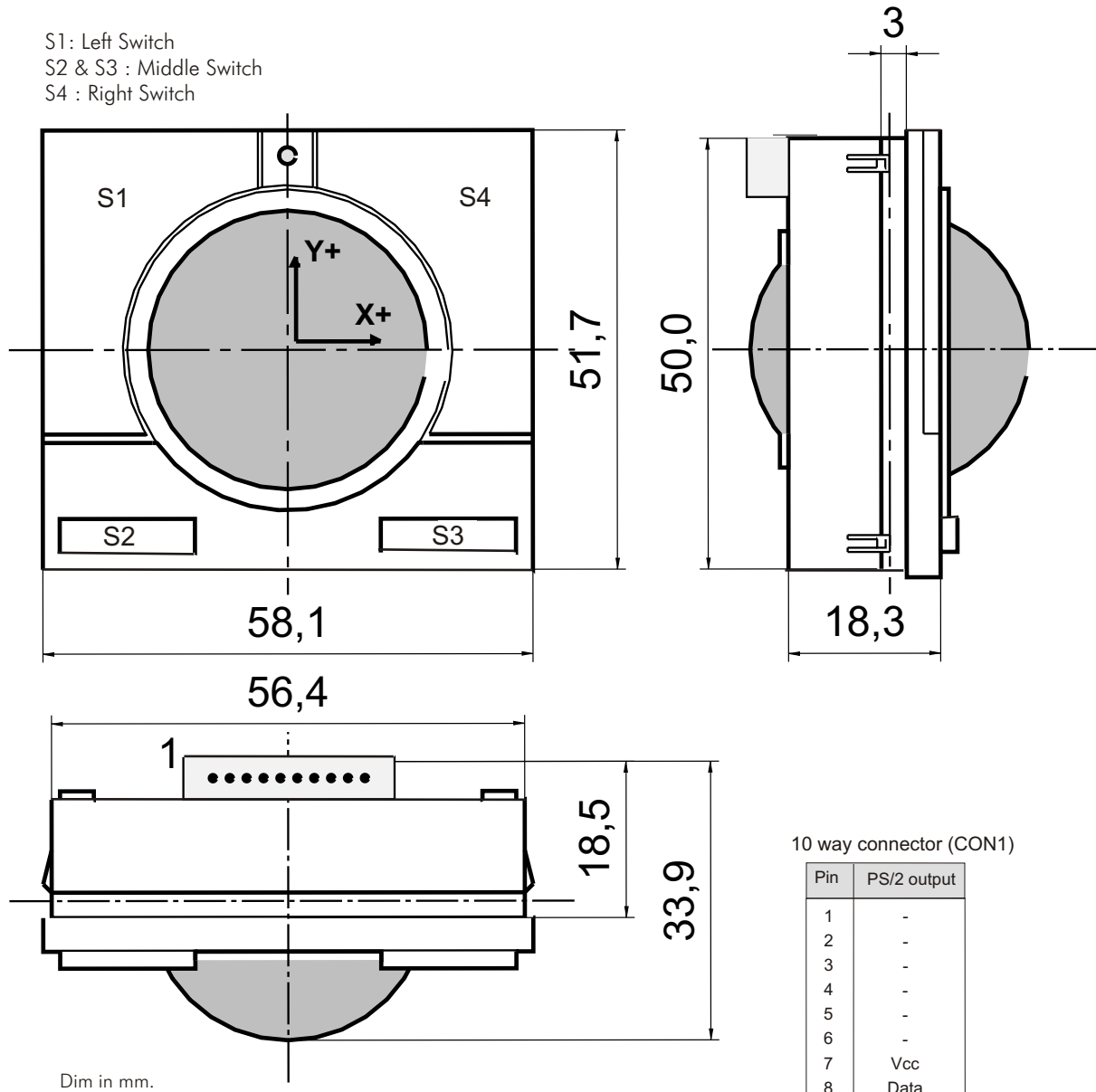
ORDER INFO

Output	Order Number	Consisting of :
PS/2	KB34-1542	K34-144138 : Trackball module only OC6010160 : 1,6 m shielded cable with 6 pin mini DIN plug

34 mm TRACKBALLMODULE

DIMENSIONAL DRAWING

S1 : Left Switch
S2 & S3 : Middle Switch
S4 : Right Switch



Dim in mm.

10 way connector (CON1)

Pin	PS/2 output
1	-
2	-
3	-
4	-
5	-
6	-
7	Vcc
8	Data
9	CLK
10	GND

Connector type : JST PH Series 2,0mm pitch.
Mating part : JST KR Connectors (10KR-8M)

The company reserves the right to alter without prior knowledge the specification or design of any standard product or service.