

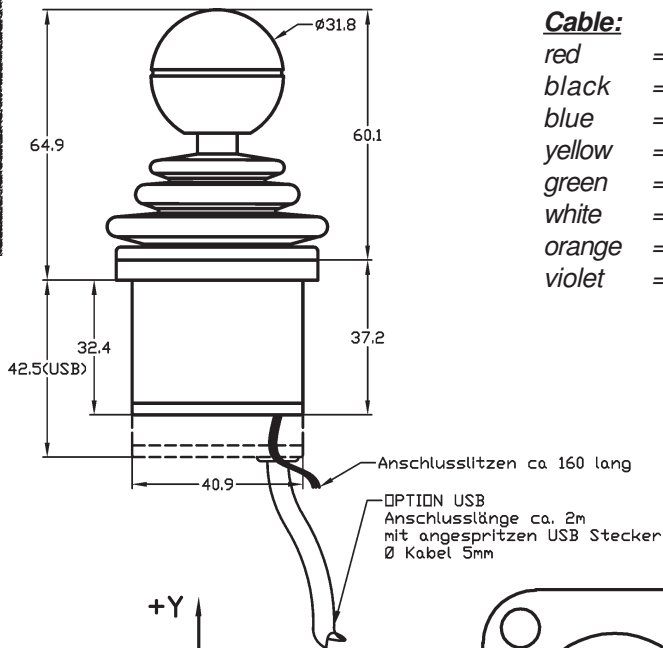
# TRY 10 - Finger-Joystick

- 1-, 2- or 3 Axes
- up to 2 buttons in the handle
- protection grade up to IP 65
- optional with USB-interface
- useable as mouse-replacement (only option USB)
- ideal for controlling of wheelchairs, electric vehicles and many other drives with servo motors

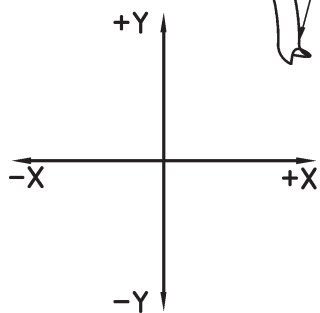
With contactless hall sensors. Because of this technology it is a very robust and long-life Joystick. It is also small in the 3-axis version, compact and space-saving.



## Dimensions

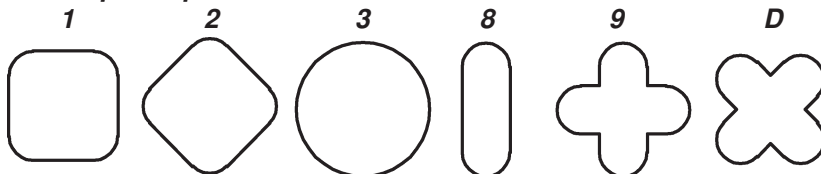


- Cable:**
- red = Vcc ,
  - black = GND ,
  - blue = X-Axis ,
  - yellow = Y-Axis ,
  - green = Z-Axis ,
  - white = S1/S2 ,
  - orange = S1 ,
  - violet = S2

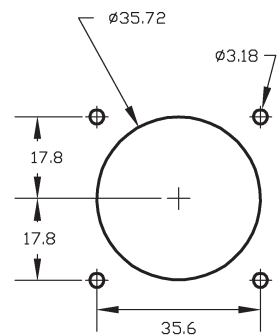


Orientation ( top view )

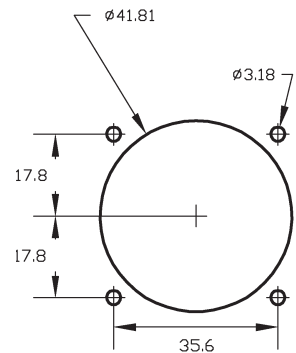
### Limitier plate options:



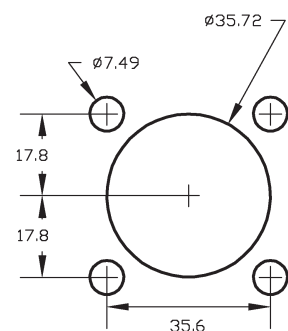
### Drilling template Mounting option 1:



### Mounting option 2, 3, 4, 5b:

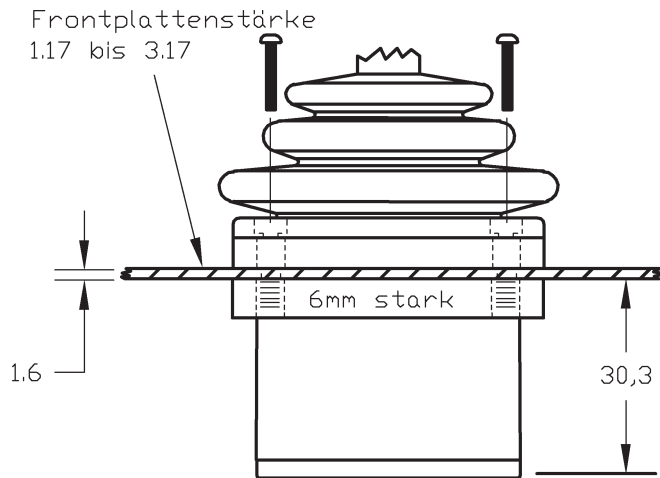


### Mounting option 5a:

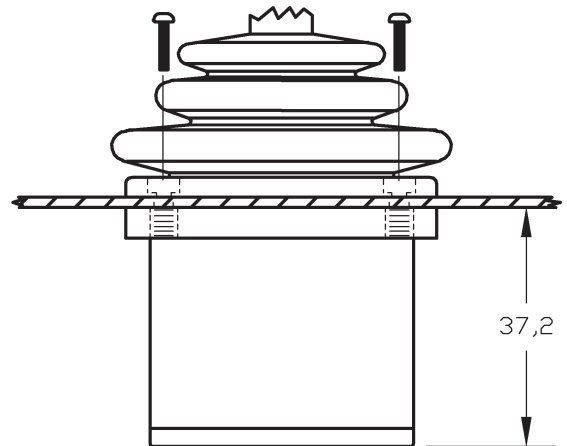


## Mounting options:

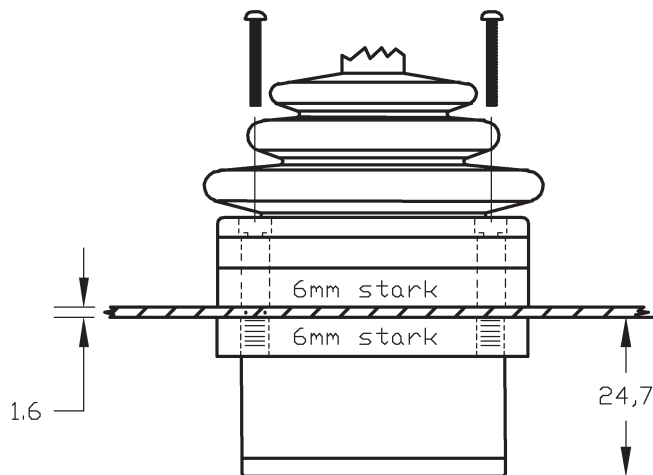
*Mounting single raised (FV\*) (1)*



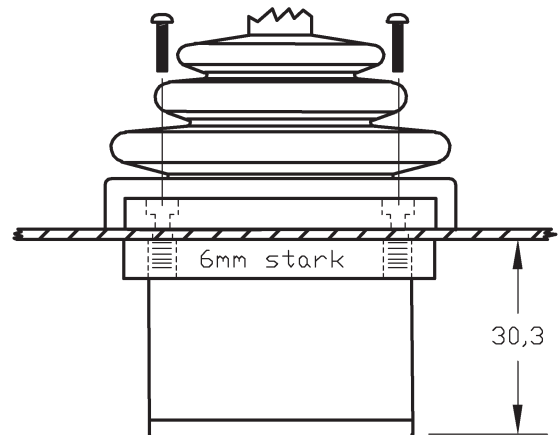
*Mounting flat (FV\*) (2)*



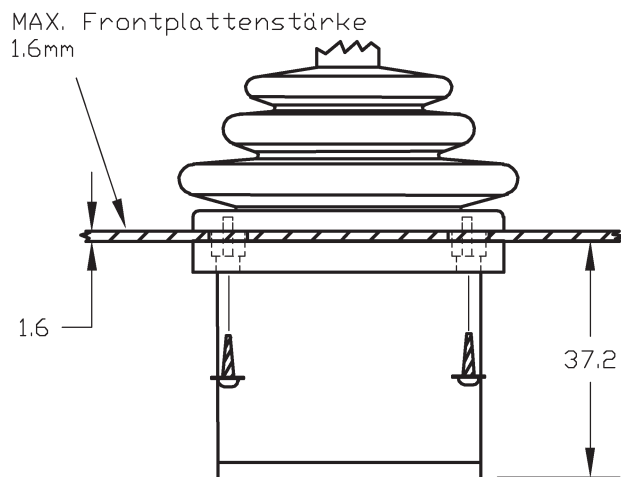
*Mounting double raised (FV\*) (3)*



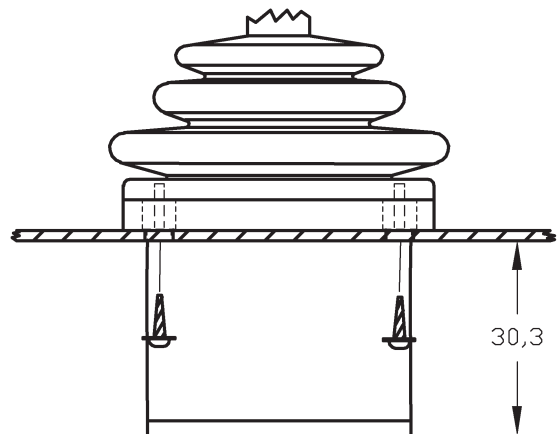
*Mounting snap on (FV\*) (4)*



*Mounting flat (RV\*\*) (5)  
(Einbauvorschlag a)*



*Mounting single raised (RV\*\*) (5)  
(Einbauvorschlag b)*

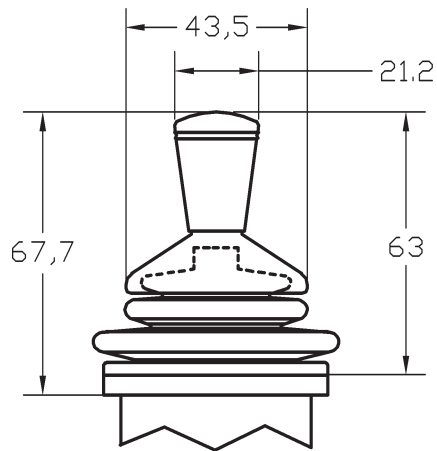


(\*FV = front screwing, \*\*RV = rear screwing)

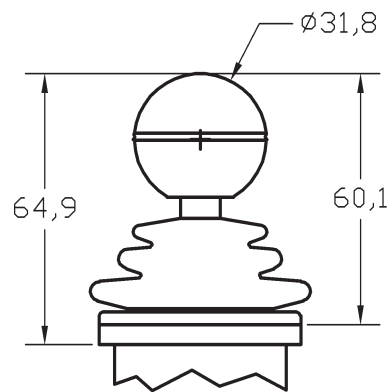
**Please note: panel depth is extended by 10,15 mm with USB option**

## Handle versions:

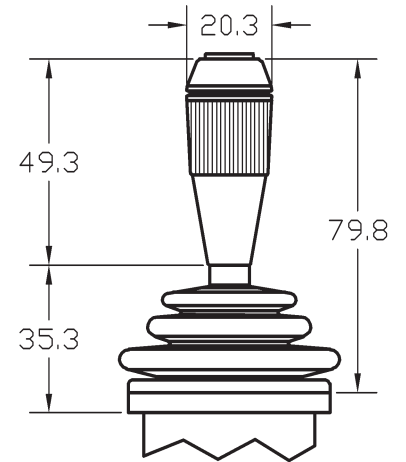
**Handle type 1 (IP65)**



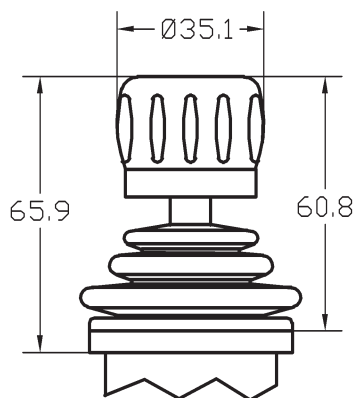
**Handle type 3 (IP65)**



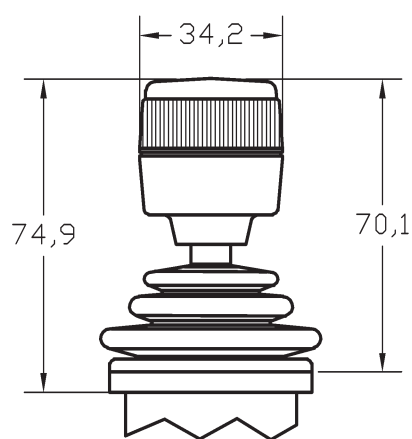
**Handle type 4 (IP50)**



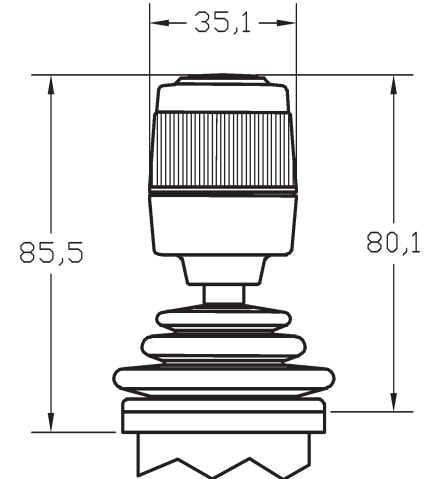
**Handle type 6 (IP54)**



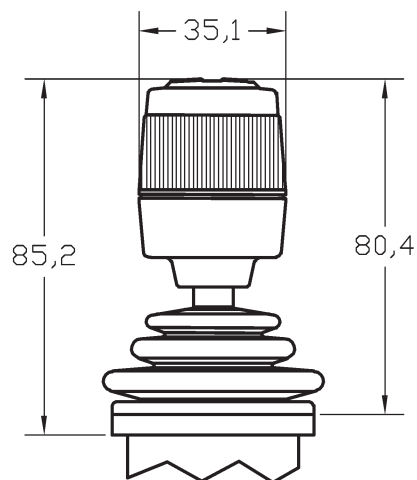
**Handle type 7 (IP54)**



**Handle type 9 (IP50)**



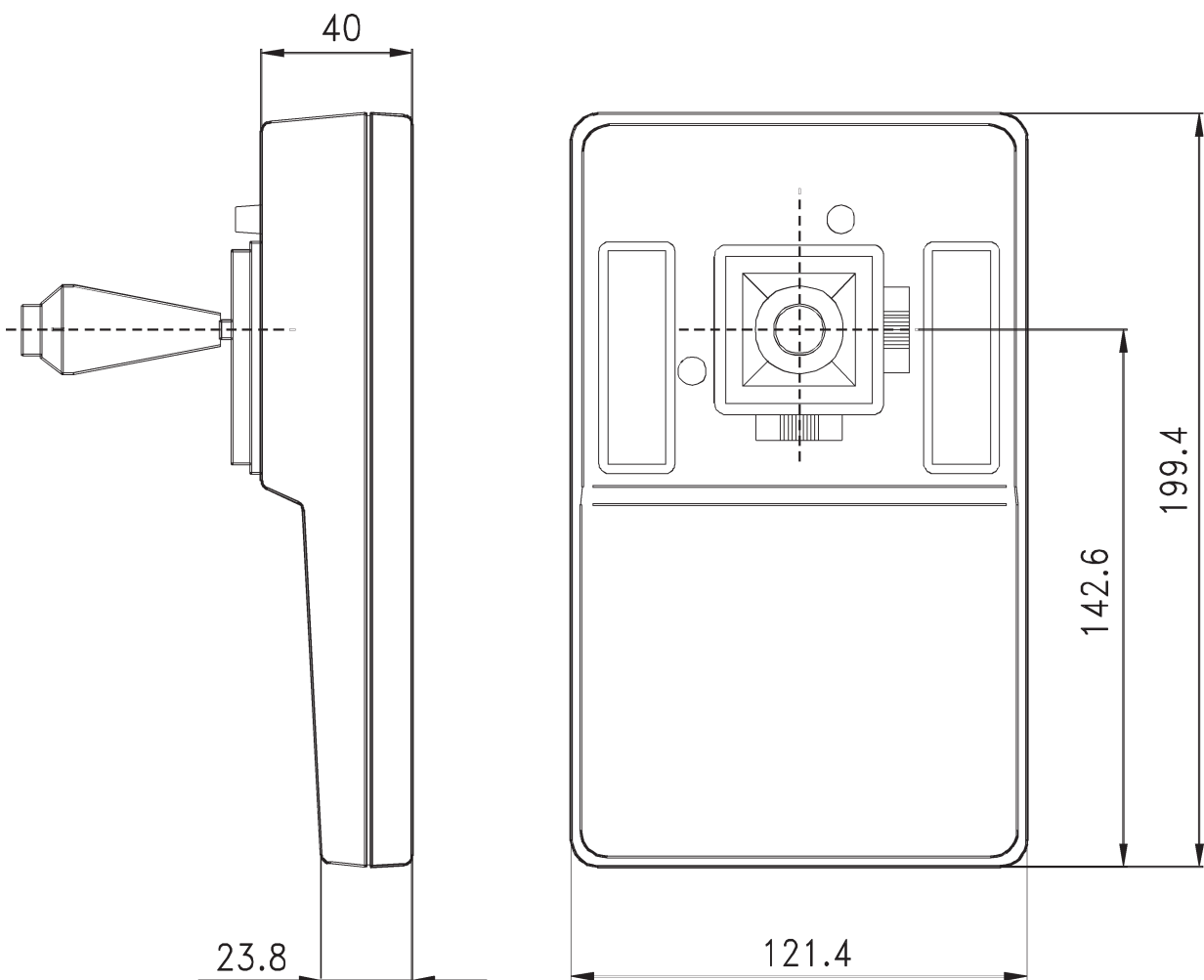
**Handle type A (IP50)**



## Mounting option desktop



## Dimensions



## Option USB interface



Configuration USB interface

The optional USB output comes with a 2 m connection line with standard USB connector.

The USB controller is integrated within the Joystick housing.

Power will be supplied by the USB-port.

The Joystick may operate with all USB capable operating systems.

### USB-Joystick as mouse-replacement

The application with the TRY10 series with USB interface provides the function as a mouse in combination with an additional mapping software.

The software is easy to install and to handle. A 3-axis Joystick with 2 buttons will then act like a 2 button mouse with scroll-wheel function. If the Joystick is moved i.e. in +x direction, the mouse pointer will move smoothly with a from the handle deflection dependent speed. If the handle will rest in the centre position, the mouse pointer will stand still. Both buttons on the Joystick will act like the buttons of the mouse. The 3rd axis of the Joystick provides the scroll function. If the handle will be turned in CCW, the scroll directs to the top, CW to the bottom. Please note, that if the mapping software is activated, the Joystick is not as game controller within the system configuration available. Only after removing of the mapping software the normal Joystick function will be available again. The software is free available on our website [www.megatron.de](http://www.megatron.de)

## Technical Data

Supply voltage	5 V ± 10%
Power consumption 2-axis	4,8..11 mA
Power consumption 3-axis	7,2..16,5 mA
Resolution	infinite
Center voltage	2,5 V (±25 mV)
Electrical life expectancy	1 million h
Mechanical life expectancy (movements)	3 million (normal use)
Output voltage (1 to 4)	0..5 / 0,5..4,5 / 0,25..4,75 / 2..3 V
Linearity tolerance	± 2 % FS
Deflection X-,Y- Axis	± 18°
Deflection Z- Axis	± 40°
Operating force in X-Y- direction	2,25 N
Reset accuracy to center position	± 1 %
Operation temperature	-25°C ..+85°C
Storage temperature	-55°C ..+165°C
Weight (example 2-axis with round handle)	110 g
Protection grade	depending on knob type
Flammability rating	94HB
Panel thickness	1,2..3,2 mm

## Options and Order Descriptions

	Series	Axis	Bezel	Reset Device	Handle	Limiter plates	Output	Mounting	add. options
<b>Joystick with hall sensors</b>	<b>TRY10</b>								
1 Axis		1							
2 Axis		2							
2 Axis with push button		3							
3 Axis		4							
3 Axis with push button		5							
Rubber boot			5						
With spring return				1					
With friction clutch <sup>#1</sup>				6					
Handle, conical IP65					1				
Handle, ball tip IP65					3				
Handle for 2 axis with push button IP50					4				
Handle for 3 axis without push button IP54					7				
Handle for 3 axis with 1 push button IP50					9				
Handle for 3 axis with 2 push buttons IP50				A					
Limiter plate, square						1			
Limiter plate, diamond (45° shifted)						2			
Limiter plate, round						3			
Limiter plate, Y axis slotted						8			
Limiter plate, X/Y plus („+“)						9			
Limiter plate, X/Y cross („x“)						D			
Output 0..5 V							1		
Output 0,5..4,5 V							2		
Output 0,25..4,75 V							3		
Output 2..3 V							4		
Output USB interface							5		
Mounting single raised (FV*) standard								1	
Mounting flat (FV*)								2	
Mounting double raised (FV*) (+6 mm)								3	
Mounting snap on (FV*)								4	
Mounting flat and single raised (RV**)								5	
Desktop housing								M0	
Desktop housing with 2 push buttons								M2	
Desktop housing with 4 push buttons								M4	
Desktop housing with 4 push buttons (cherry-buttons)								M4C	
Dual encoding (none at option USB)									D
Center detect (none at option USB)									C
Increased range of supply voltage									V

#1: available up to 2 axis and round limiterplate „3“ only

#2: only with output „2“ available

The herewith stated data can not describe the product character or property due to the various applications specialities.