

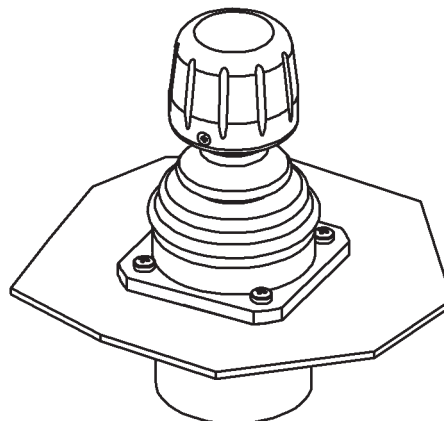
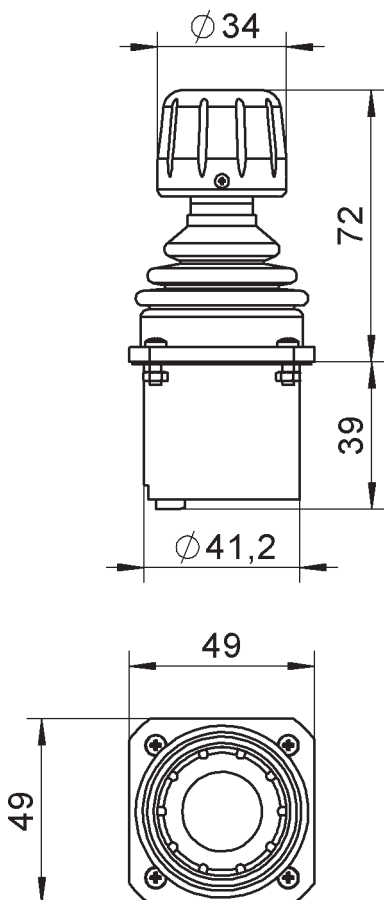
# Series TRY22 - Hall Joystick

- a new generation of compact joysticks in industrial quality
- contactless, wearless hall sensor technology
- 3- axes
- robust design
- compact model with approx. 39 mm installation depth
- redundant output signals possible
- protection class up to IP65
- easy installation by oval boreholes
- well-priced design

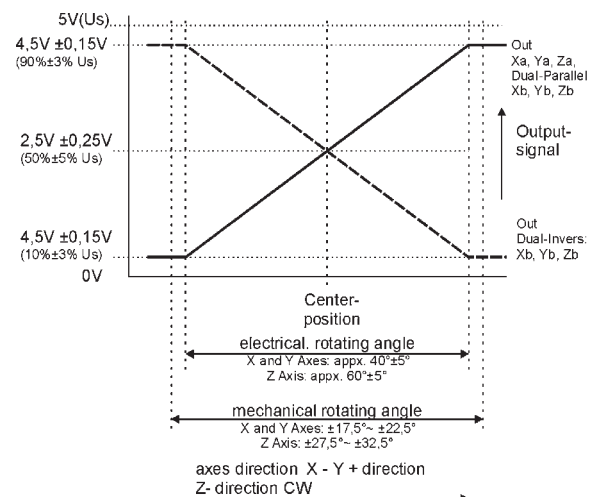


The joystick series TRY22 has been completely redesigned with the objective of high quality standards, efficiency of costs, high protection grade and easy installation.

## Dimensional Drawing:

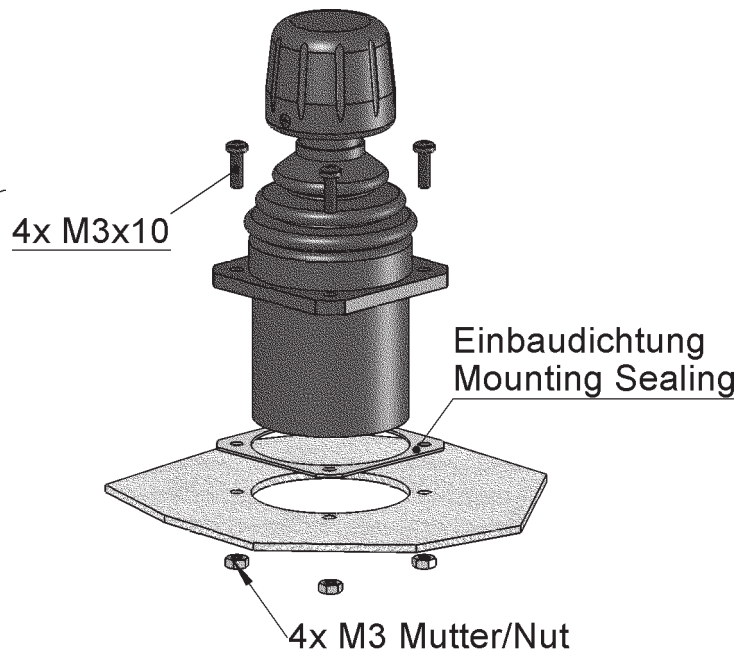
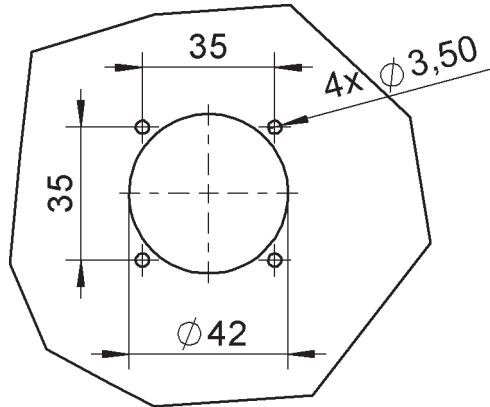


Connector wiring diagram		
PIN	color	function
1	black	NC
2	white	NC
3	grey	GND
4	purple	Z Option
5	blue	Z Signal
6	green	Y Option
7	yellow	Y Signal
8	orange	X Option
9	red	X Signal
10	brown	+5VDC
lead wires ~24 AWG		
length approx. 300 mm		



# Series TRY22 - Hall Joystick

## Installation:



## Preliminary technical data:

### Mechanical:

Operating angle X/Y axes	±20°
Operating angle Z-axis	±30°
Operating force X/Y axes	1..4 N
Operating force Z axis	40..80 mNm
Center return accuracy	±5%
Installation	from panel-bottom
Housing material	high-strength fiber-glass reinforced nylon
Boot material	rubber
Operating temperature range	-20 .. +60°C
Storage temperature range	-55 .. 165°C
Inflammability	94HB
Mechanical life expectancy	2.000.000 MTBF
Protection class	up to IP65, dependent on the installation location, top side of the panel sealed by positive rubber boot

### Electrical:

Supply voltage	+5 VDC ±10%
Power input	15 mA typical per axis

Output voltage	10%±3% .. 90%±3% V <sub>Supply</sub>
Signal in center position	50% ±5% V <sub>Supply</sub>
Min. load on output	10kOhm
Max. allow. output power	2 mA / per axis
Resolution	unendlich
Electrical life expectancy	1.000.000 h ( under normal conditions)
Independent linearity	approx. ±3° FS
Center drift	< 1% V <sub>Supply</sub> * FS
Temperature behaviour	< 2,5% V <sub>Supply</sub> * FS

### Others:

Vibration	10..55Hz, 98m/s (10G) (MIL-STD-202F-204)
Shock	294m/s(30G) (MIL-STD-202F-213)
Lever strength X/Y axes	200N
Lever strength Z axis	0,5N
EMS	100V/m(80MHz..1GHz)
ESD	±8kV contact discharge ±15kV air discharge
EFT	Level 2

## Order description:

<b>Series</b>	<b>TRY22 3 5 1 1 3 x</b>
Axes	3: 3 axes
Bezel	5: rubber boot
Return device	1: with central return spring
Handle	1: knob with 3rd axis
Limiter plate	3: square
Output	1: 10%..90% V <sub>supply</sub> 2: 10%..90% V <sub>supply</sub> dual parallel 3: 10%..90% V <sub>supply</sub> dual inverse