



SELF-DRAINING & REMOVABLE BALL 50 mm TRACKBALL

This unit consists of a 50mm infra-red optical trackball with removable ball and adjustable tracking force, with self-draining and flush through options and with three IP67 rated push button switches.

The whole is mounted on a blackened stainless steel carrier plate and supplied with a silicone sponge sealing the unit onto the customers' panel.

Above features make this trackball unit best suited for extreme dusty environments where cleaning and/or flush through with clear water is required for optimum functionality (f.i. aggressive dust like cement dust, etc..) or for salty water environments (f.i. naval navigation etc...). The adjustable tracking force is another advantage for "unstable" working conditions like for instance in the naval navigation.

Main features

- ` Removable ball
- ` Adjustable tracking force
- ` Self-draining & flush through
- ` Waterproof infra-red optical sensing
- ` Incl. panel seal

Typical applications

- ` Naval (salt water)
- ` Aggressive dusty environments
- ` Unstable operation conditions (transport, etc..)

Self-draining option

The trackball is supplied with its draining hole sealed by a rubber insert. If required, this insert can easily be removed by the user and replaced by an adequate tube in order to drain any liquids from the trackball to the outside of the users' cabinet.

GENERAL TECHNICAL SPECIFICATIONS

Sealing	: IP68 waterproof
Carrier plate	: black epoxy coated stainless steel
Ball diameter	: 50,8 mm
Ball material	: epoxy resin
Dimensions	: 100 x 116 x 40 mm
Weight	: 0,6 kg
Tracking force	: adjustable, from free running to high force
Lifetime	: >= 2 million ball revolutions
Cable	: shielded, straight 1,6 m long
Operating temperature range	: 0°C to +60°C
Storage temperature range	: -25°C to +80°C

CONNECTIVITY

This combo PS/2 & USB trackball unit has a 1,6 meter long shielded straight cable ended by a USB type A plug. An adaptor to PS/2 is added.

No special device driver is needed, use standard available drivers of your operating system.

Push button switches

Sealing	: IP67
Travel	: 1,5 mm
Operating force	: 3N typ
Body	: PBT & polyamide
Contacts	: gold plated silver
Mechanical life	: 1 million oper.

CE : compliant to EMC Directive 89/336/EEC for Electromagnetic Compatibility.

Low Voltage Directive 73/23/EEC not applicable for our trackballs.

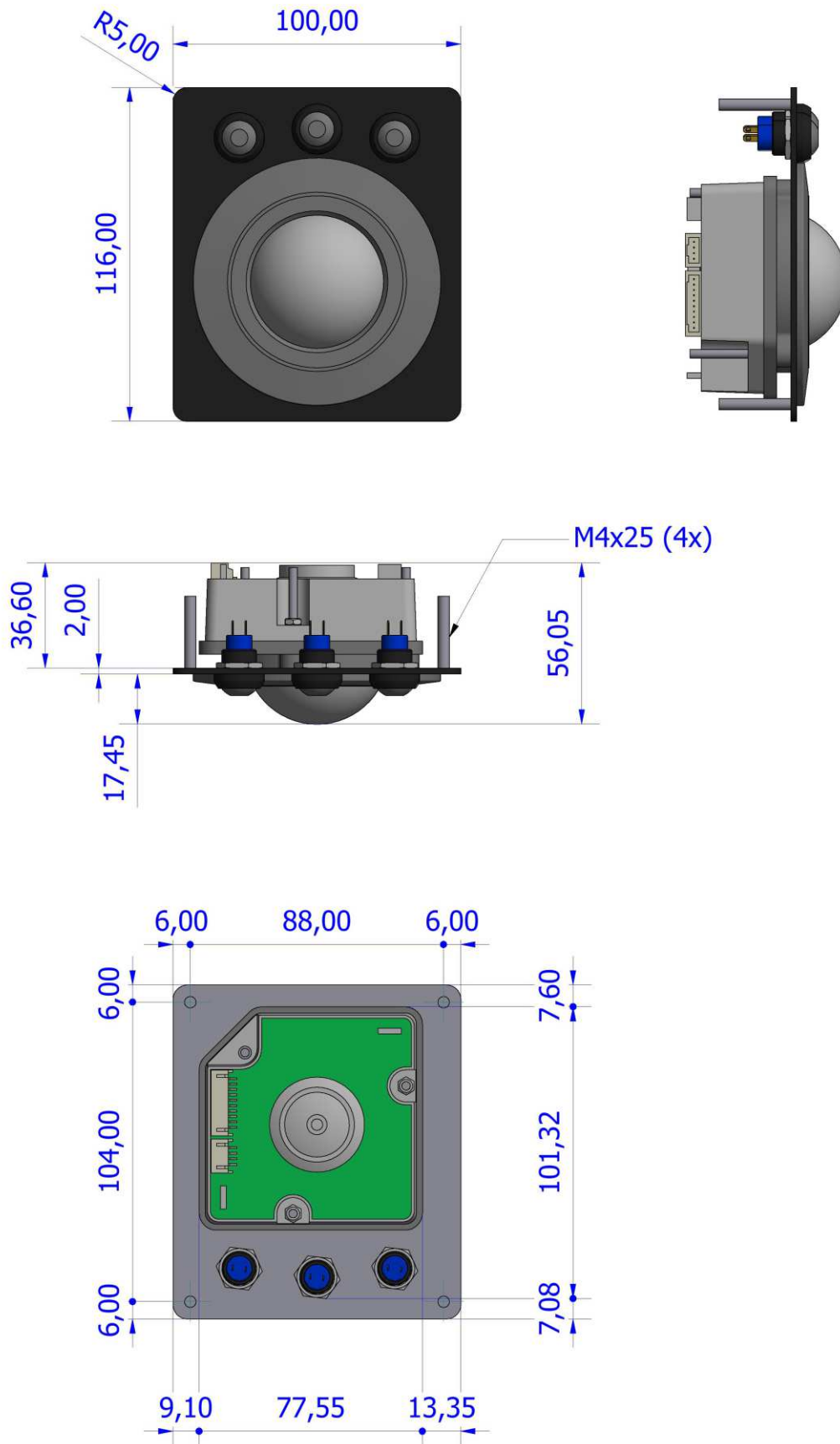
ORDER INFO

Self-draining & removable ball

TSW50F5

Output : PS/2 & USB Combo

DIMENSIONAL DRAWING



Dim. in mm

The company reserves the right to alter without prior knowledge the specification or design of any standard product or service.