

50 MM TRACKBALL UNIT

IP65 sealed



The TBL50 series is a ruggedised professional trackball. The unit has been specially designed for harsh industrial environment applications : the self-adjusting PTFE seal of the trackball guarantees an IP65 protection grade. This trackball has a large diameter ball, which make this unit the ideal solution for all applications where accurate pointer control is required. Carrier plates and housing are metal (aluminium and steel).

Panel mount (incl. alu carrier plate, electronics and cable)

Intended for front panel mounting into users' cabinet or panel with a minimum of required space and mounting depth. Operation of the trackball is possible at all angles, from horizontal to vertical mounting position. The electronic parts on the backside are protected by a metal cover. A neoprene seal which can be fitted between the carrier and the customers panel, is delivered with each unit.

Dimensions / weight : 108 x 192 x 45 mm / 0,6 kg

Enclosed

The TBL50S1 combines a large diameter ball and a steel enclosure. The "dots" on the front are not functional but contribute to the stylish look of the product.

Dimensions / weight : 118 x 204 x 60 mm / 1 kg

GENERAL TECHNICAL SPECIFICATIONS

Sealing	: IP65 static
Enclosure	: steel, pearl white finish
Carrier plate	: aluminium
Ball diameter	: 50,8 mm
Ball material	: phenolic resin, black colour
Resolution	: 155 pulses per ball revolution
Tracking force	: nom. 50 grams
Lifetime	: >= 2 million ball revolutions
Cable	: shielded, straight 1,6 m long
Operating temperature	: -10°C to +60°C
Storage temperature	: -25°C to +85°C
Switches	: tactile, 1,4mm travel

CE

Compliant to EMC Directive 89/336/EEC for Electromagnetic Compatibility.
Low Voltage Directive 73/23/EEC not applicable for our trackballs.

CONNECTIVITY

These combo PS/2 & USB trackball units have a 1,6 meter long shielded straight cable ended by a USB type A plug. An adaptor to PS/2 is added. No special device driver is needed, use standard available drivers of your operating system.

* Due to the increasing differences of the PS/2 mouse port specifications of the various PC manufacturers, we do recommend that this unit should be tested on the final PC configuration and operating system prior to installing it in series.

ORDER INFO

PANEL MOUNT

ENCLOSED

TBL50F1

TBL50S1

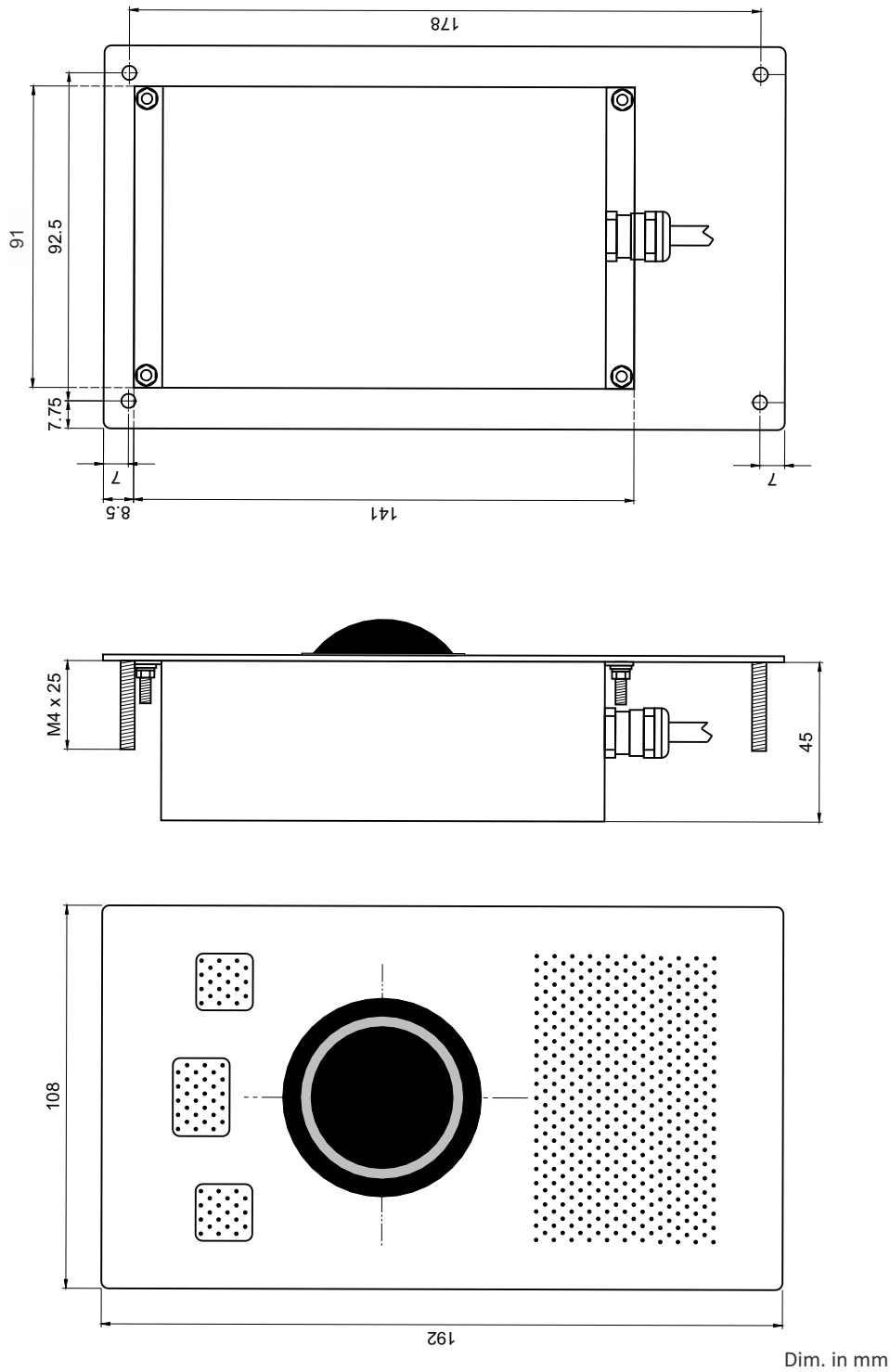
Output : PS/2 & USB Combo

50 MM TRACKBALL UNIT

IP65 sealed

DIMENSIONAL DRAWING

Panel mount version



The company reserves the right to alter without prior knowledge the specification or design of any standard product or service.

VER. 1.1